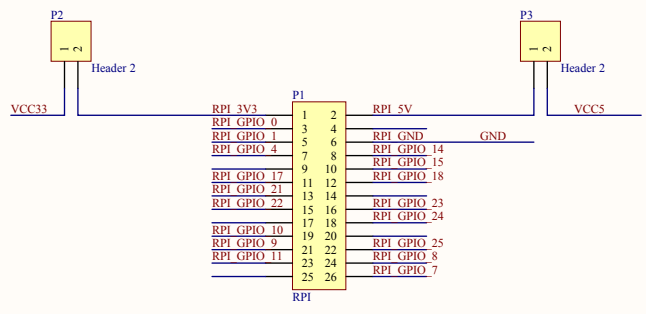


Interfaces

Title Raspberry Pi Universal Expansion Board - Special Edition		
CPLD		
Size	Number	Revision
B	1	A
Date:	10/7/2012	Sheet 1 of 4
File:	E:\MyResources\CPLD SchDoc	Drawn By: Neil Hao



Title		
Raspberry Pi Universal Expansion Board - Special Edition		
Raspberry Pi Interface		
Size	Number	Revision
B	2	A
Date:	10/7/2012	Sheet 2of4
File:	E:\MyResources\RPi SchDoc	Drawn By: Neil Hao

A

B

C

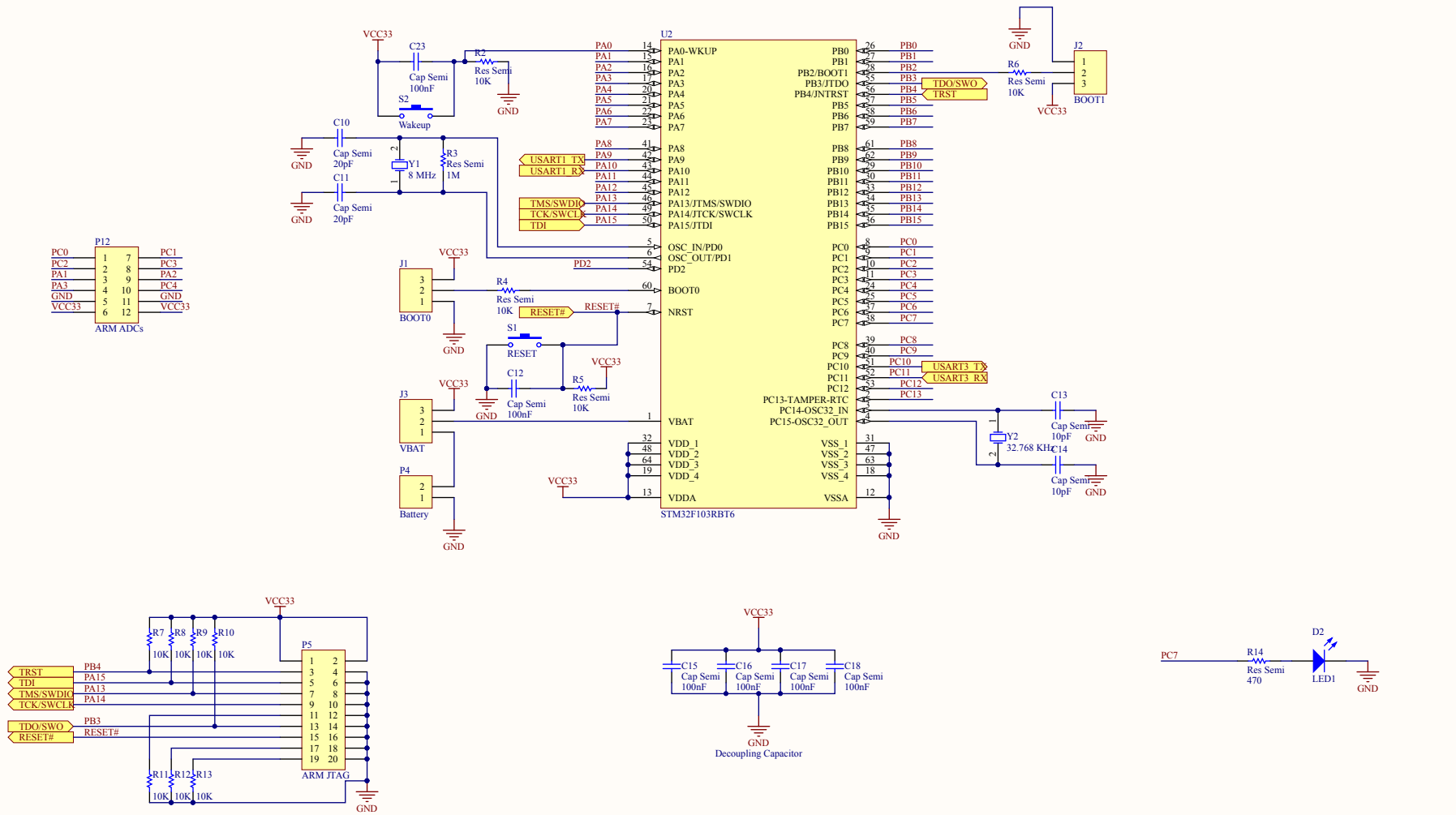
D

A

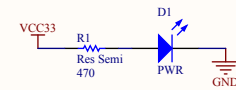
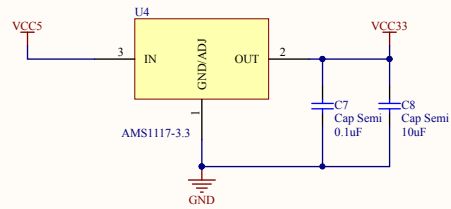
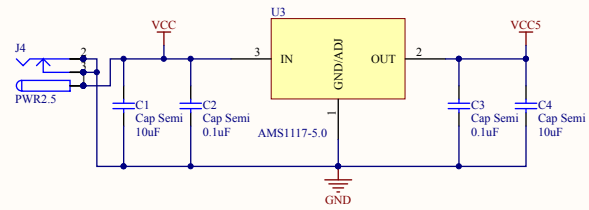
B

C

D



Title		
Raspberry Pi Universal Expansion Board - Special Edition		
STM32		
Size	Number	Revision
B	3	A
Date:	10/7/2012	Sheet 3of4
File:	E:\MyResources\STM32 SchDoc	Drawn By: Neil Hao



Title		
Raspberry Pi Universal Expansion Board - Special Edition		
Power		
Size	Number	Revision
B	4	A
Date:	10/7/2012	Sheet 4 of 4
File:	E:\MyResources\Power SchDoc	Drawn By: Neil Hao

Bill of Materials

<Parameter Title not found>

Source Data From: PmodBoard.PrjPCB
 Project: PmodBoard.PrjPCB
 Variant: None

Creation Date: 10/7/2012 12:17:25 PM
 Print Date: 41189 41189.51223

Footprint	Comment	LibRef	Designator	Description	Quantity
6-0805_L	Cap Semi	Cap Semi	C1, C2, C3, C4, C7, C8, C9, C10, C11, C12, C13, C14, C15, C16, C17, C18, C19, C20, C21, C22, C23	Capacitor (Semiconductor SIM Model)	21
3.2X1.6X1.1	PWR	LED2	D1	Typical RED, GREEN, YELLOW, AMBER GaAs LED	1
3.2X1.6X1.1	LED1	LED2	D2	Typical RED, GREEN, YELLOW, AMBER GaAs LED	1
3.2X1.6X1.1	LED2	LED2	D3	Typical RED, GREEN, YELLOW, AMBER GaAs LED	1
HDR1X3	BOOT0	Header 3	J1	Header, 3-Pin	1
HDR1X3	BOOT1	Header 3	J2	Header, 3-Pin	1
HDR1X3	VBAT	Header 3	J3	Header, 3-Pin	1
KLD-0202	PWR2.5	PWR2.5	J4	Low Voltage Power Supply Connector	1
HDR2X13	RP1	Header 13X2	P1	Header, 13-Pin, Dual row	1
HDR1X2	Header 2	Header 2	P2, P3	Header, 2-Pin	2
HDR1X2	Battery	Header 2	P4	Header, 2-Pin	1
HDR2X10	ARM JTAG	Header 10X2	P5	Header, 10-Pin, Dual row	1
HDR2X20	Header 20X2H	Header 20X2H	P7	Header, 20-Pin, Dual row, Right Angle	1
HDR1X10	Header 10	Header 10	P8, P14	Header, 10-Pin	2
HDR2X5	Altera JTAG	Header 5X2	P9	Header, 5-Pin, Dual row	1
HDR2X6_CEN	Pmod1	Header 6X2A	P10	Header, 6-Pin, Dual row	1
HDR2X6_CEN	Pmod2	Header 6X2A	P11	Header, 6-Pin, Dual row	1
HDR2X6_CEN	ARM ADCs	Header 6X2A	P12	Header, 6-Pin, Dual row	1
HDR2X5	Header 5X2	Header 5X2	P13	Header, 5-Pin, Dual row	1
1608[0603]	Res Semi	Res Semi	R1, R2, R3, R4, R5, R6, R14, R15, R16, R17, R18, R19, R20	Semiconductor Resistor	13
1608[0603]		Res Semi	R7, R8, R9, R10, R11, R12, R13	Semiconductor Resistor	7
Button	RESET	SW-PB	S1	Switch	1
Button	Wakeup	SW-PB	S2	Switch	1
Button	SW1	SW-PB	S3	Switch	1
Button	SW2	SW-PB	S4	Switch	1
TQFP100_N	EPM240T100C5	EPM240T100C5	U1	MAX II 3.3/2.5V CPLD, 80 IOs, 240 Logic Elements, 100-Pin Plastic TQFP, Commercial Temperature, Speed Grade 5	1
LQFP64_L	STM32F103RBT6	STM32F103RBT6	U2	STM32 ARM-based 32-bit MCU with 128 Kbytes Flash, 64-pin LQFP, Industrial Temperature	1
SOT223_L	AMS1117-5.0	AMS1117	U3		1
SOT223_L	AMS1117-3.3	AMS1117	U4		1
PW024	SN74LVC4245PW	SN74LVC4245PW	U5	Octal Bus Transceiver and 3.3-V to 5-V Shifter with 3-State Outputs	1
OSCILLATOR R 7050	Oscillator 7050	Oscillator 7050	X1		1
BCY-W2/E4.7	8 MHz	XTAL	Y1	Crystal Oscillator	1
R38	32.768 KHz	XTAL	Y2	Crystal Oscillator	1

73

Approved	Notes